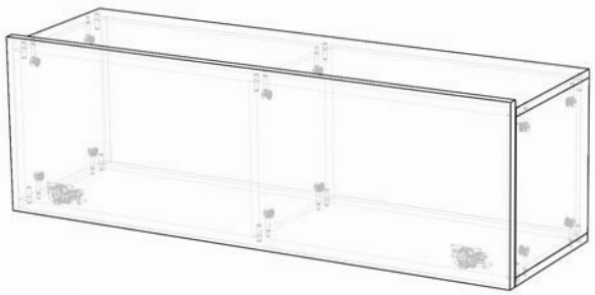
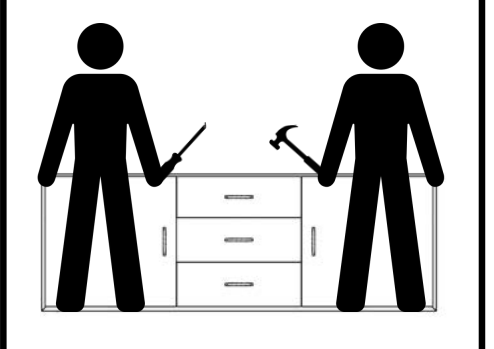
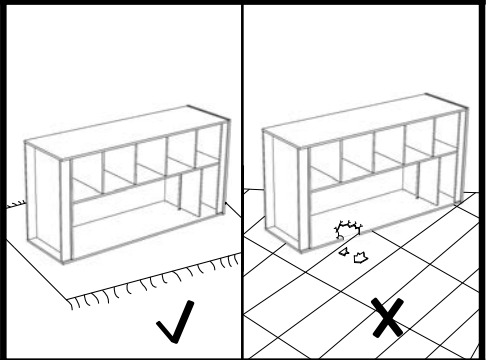
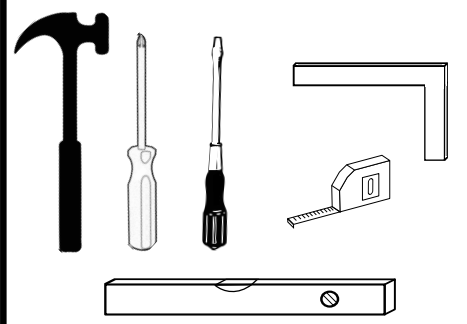
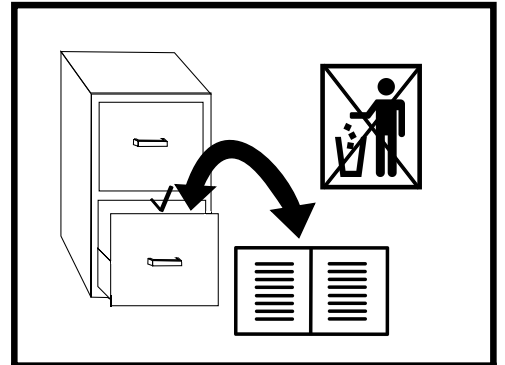

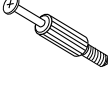






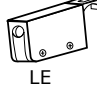
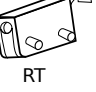


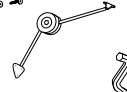


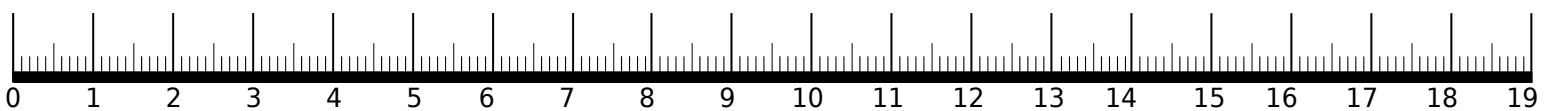
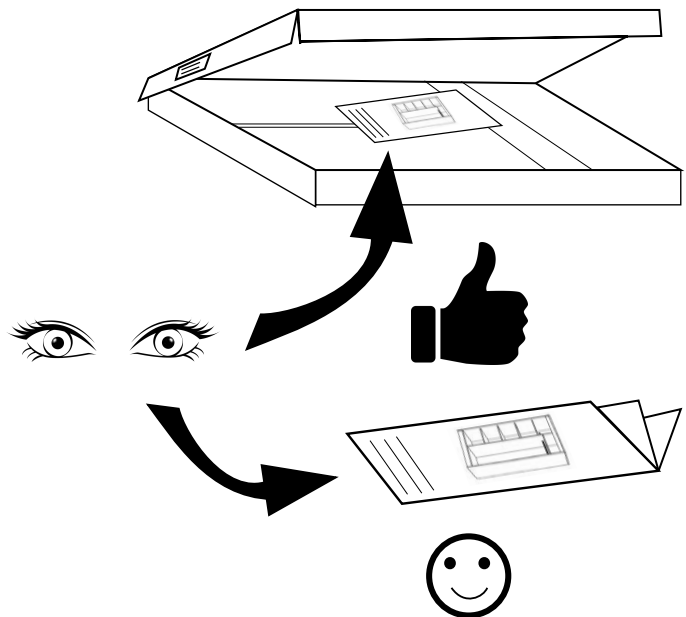
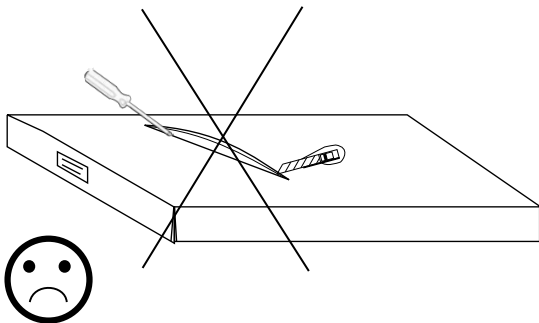
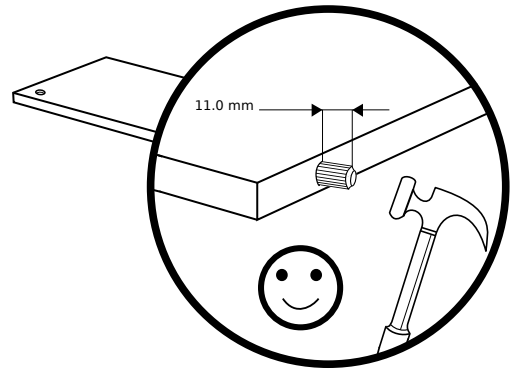
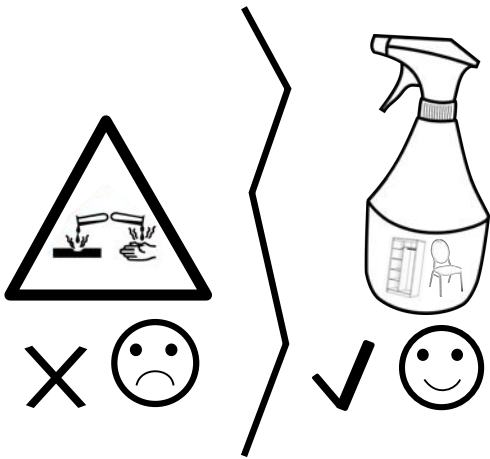
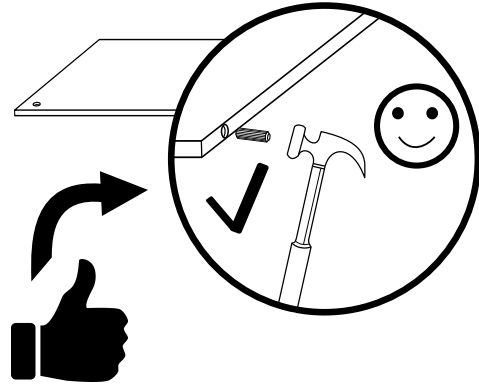
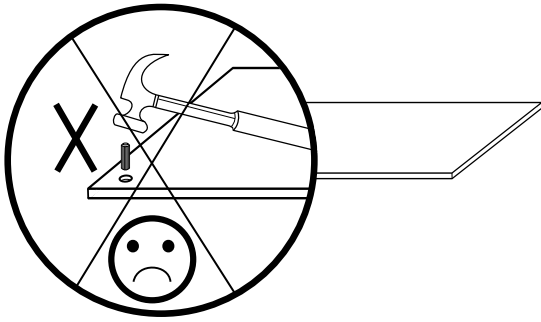
A

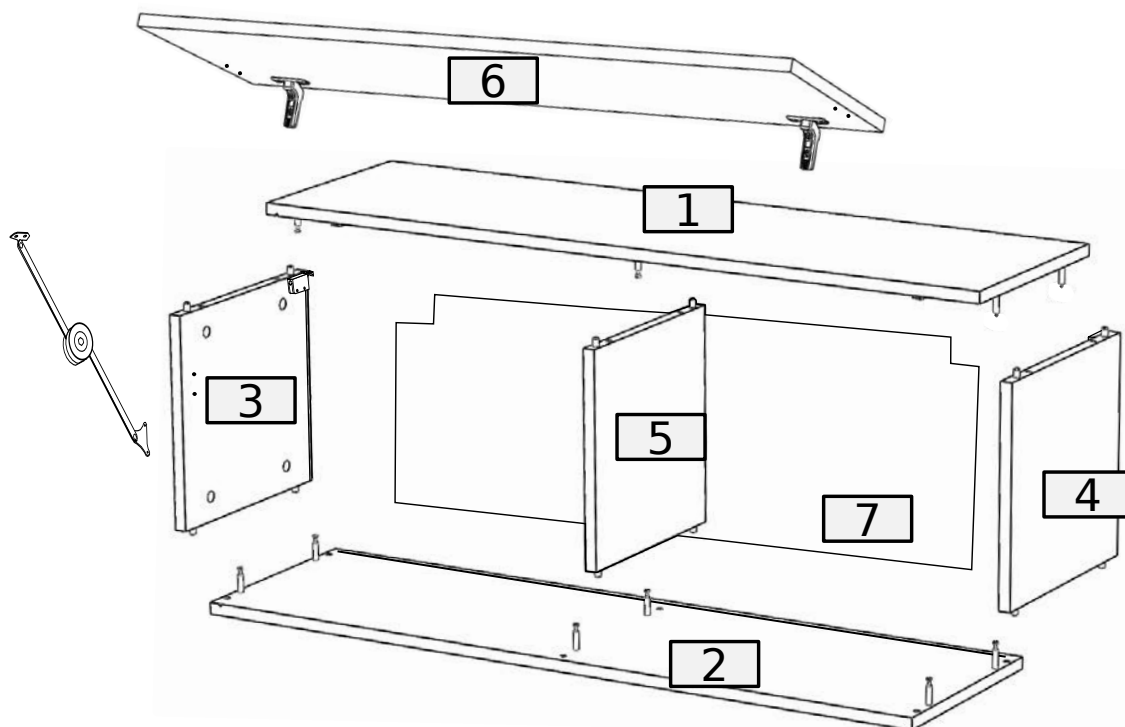


B



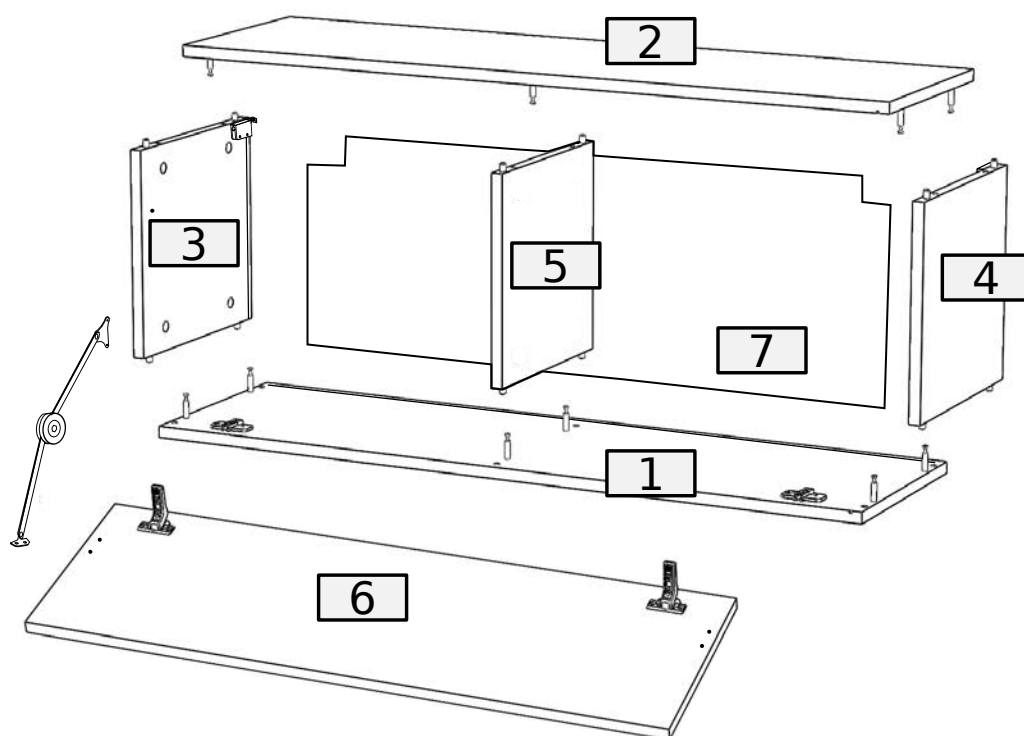
12	12	12	4	12	2	8
 B	 A 8.0x35	 D 4.0x30	 P1	 X	 Z	 I
 L	 LE	 RT	 W	 W3 3.5x16	 HK	
2	1		2	4	1	





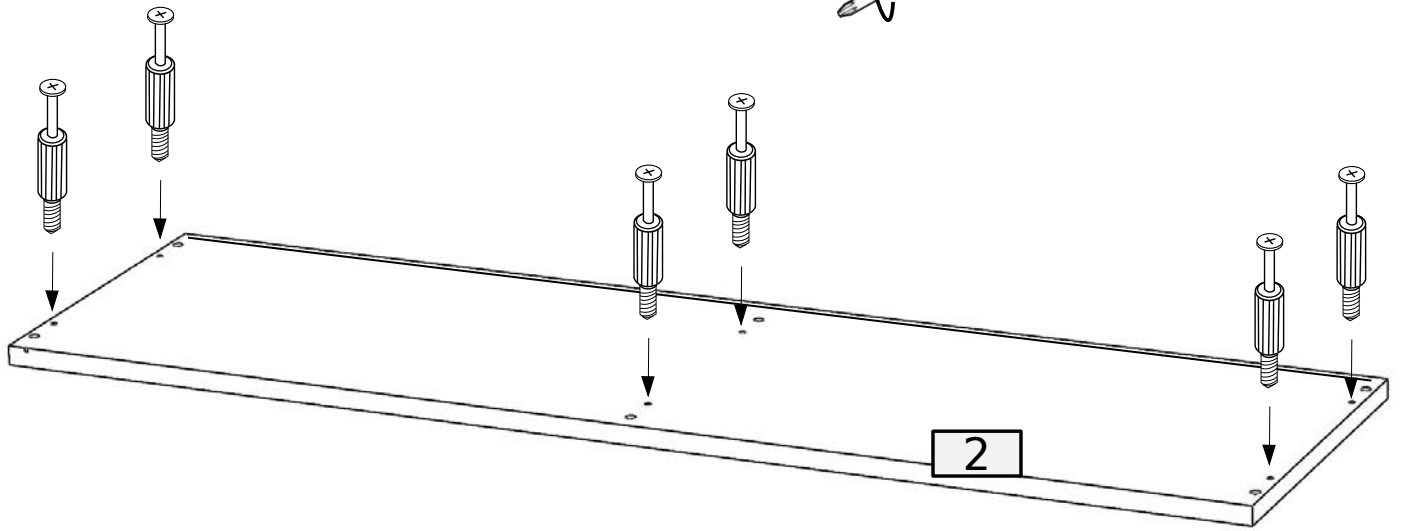
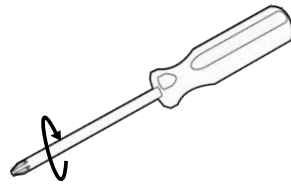
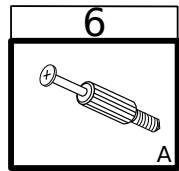
A

B

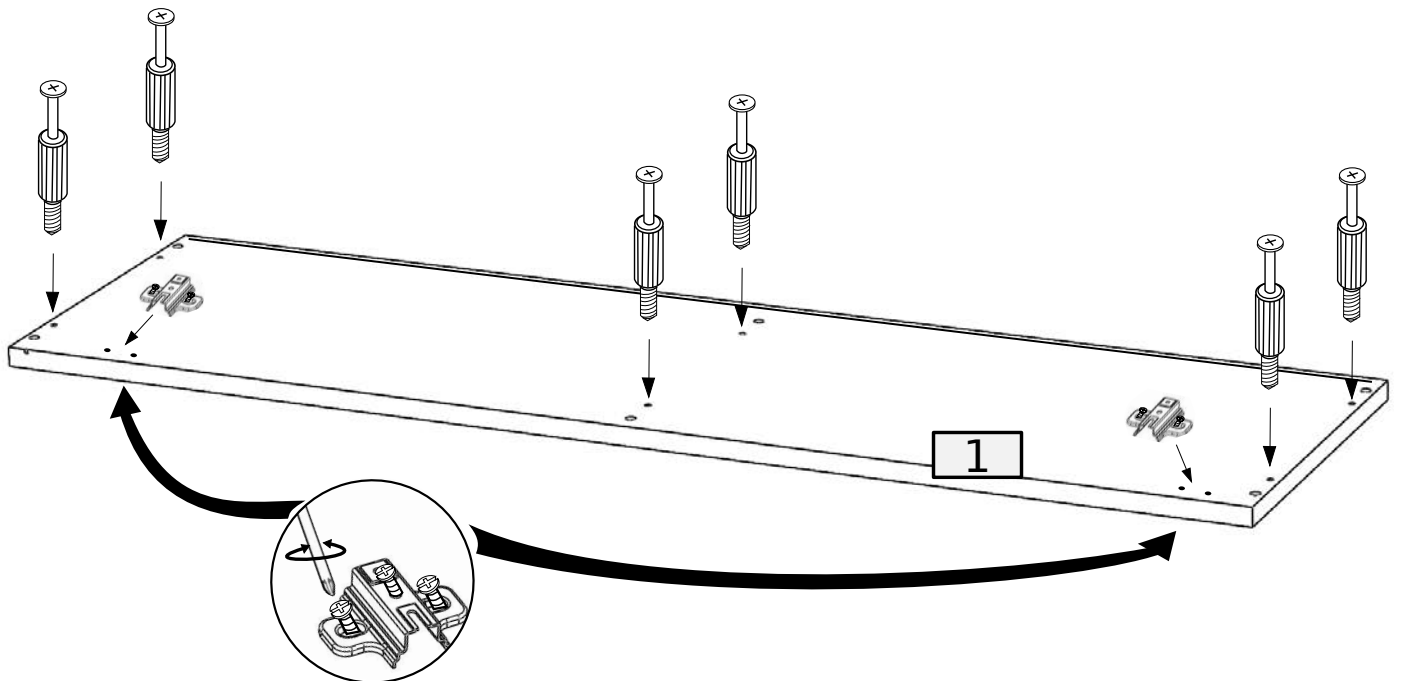
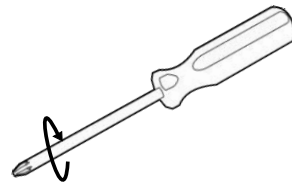
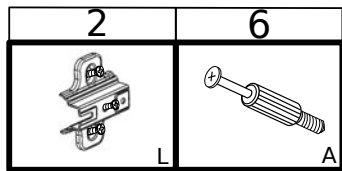


No.	Pcs.	L	W	T	T	Pac
1	1	1050	300	16	-	1/1
2	1	1050	300	16	-	1/1
3	1	293	300	16	-	1/1
4	1	293	300	16	-	1/1
5	1	293	280	16	-	1/1
6	1	1046	340	16	15	1/1
7	1	1032	307	3	-	1/1

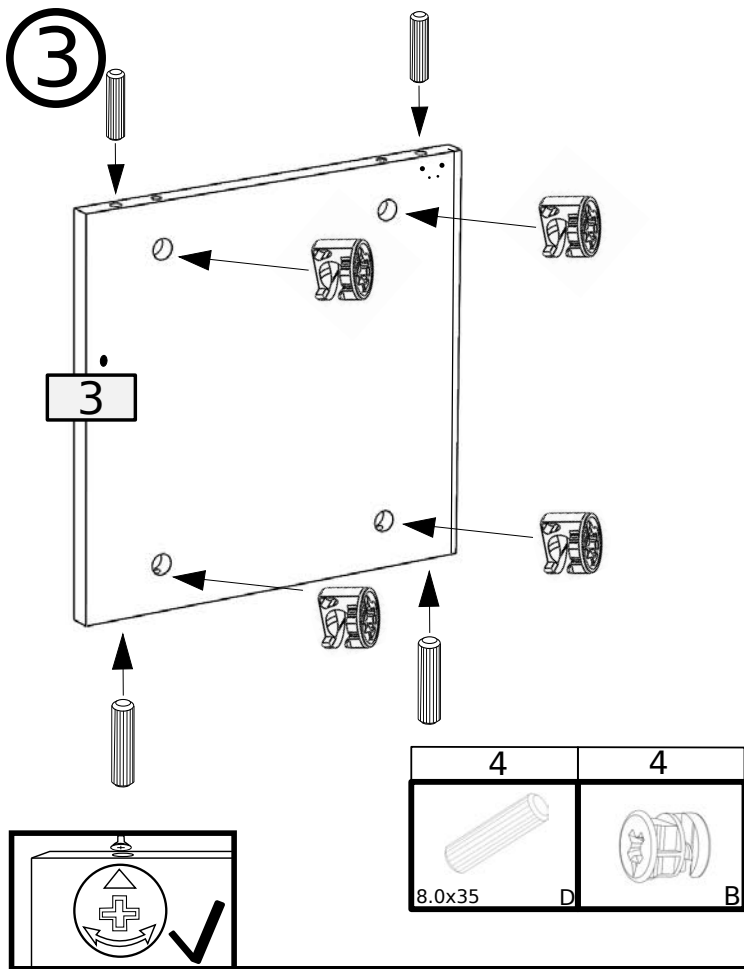
1



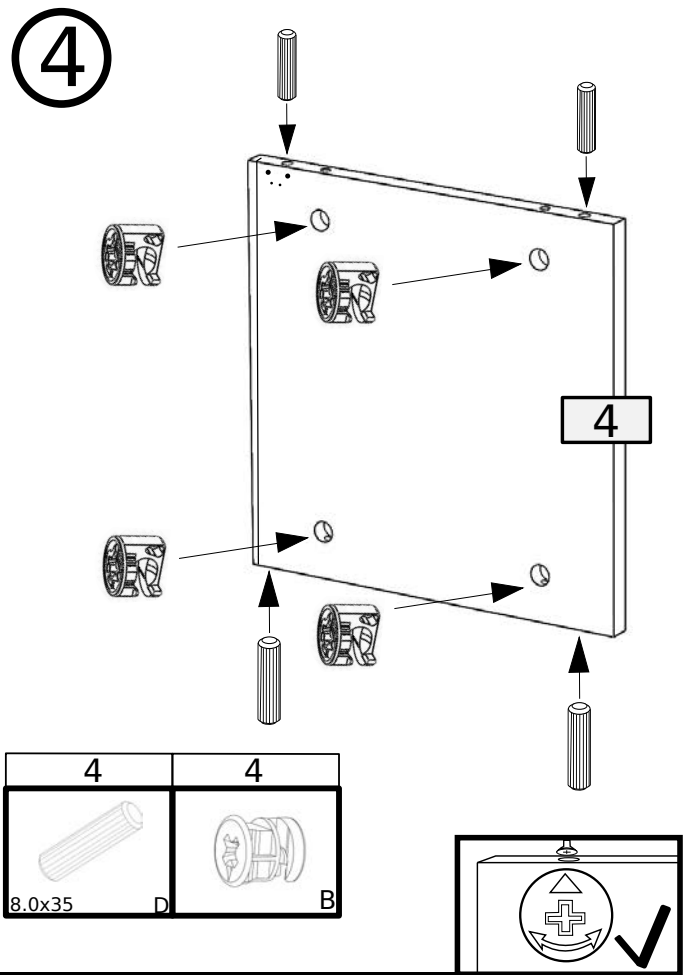
2



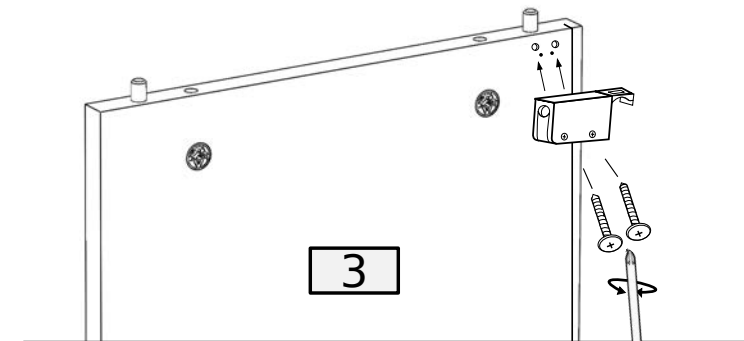
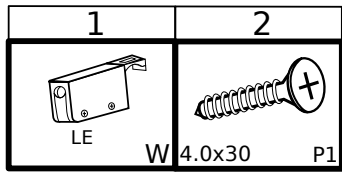
3



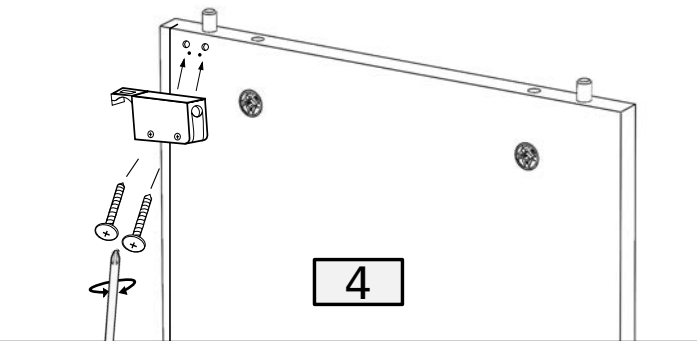
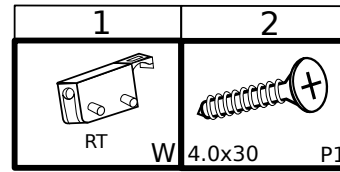
4



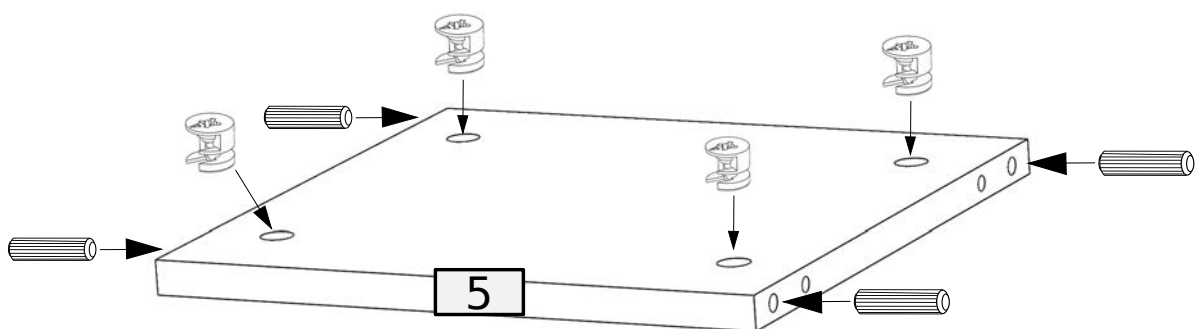
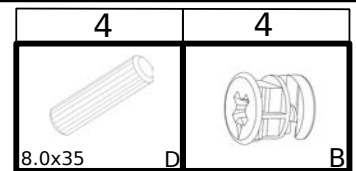
5



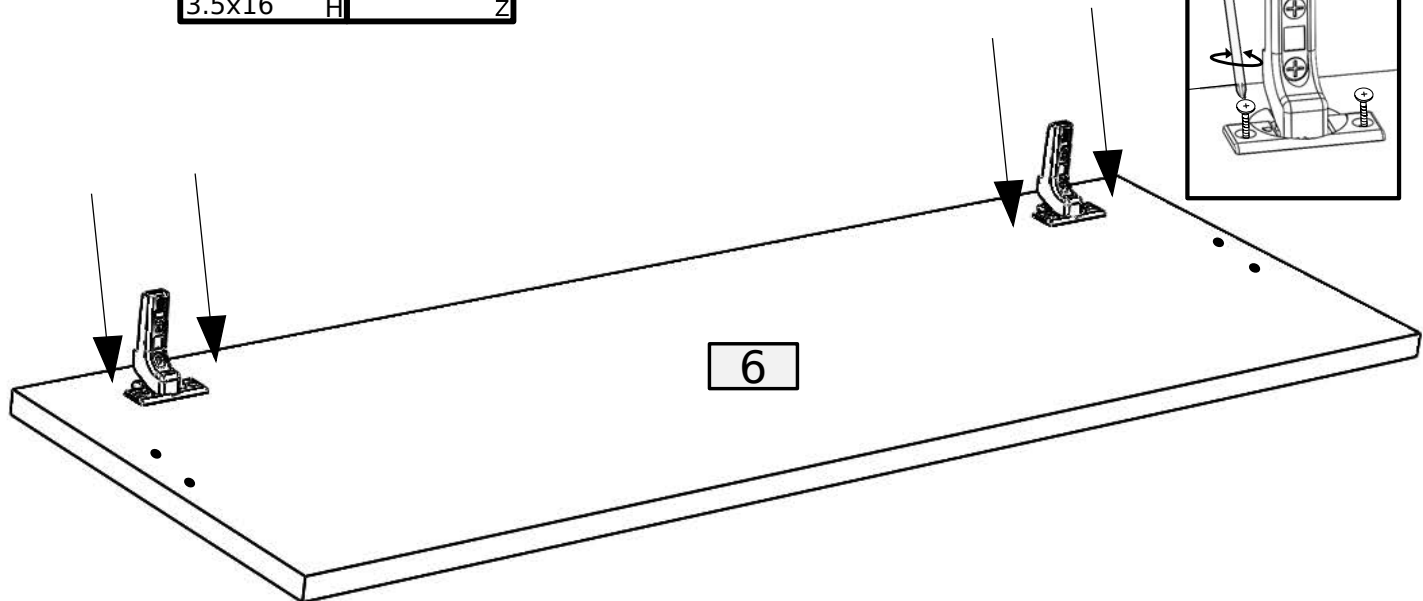
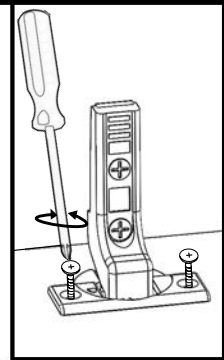
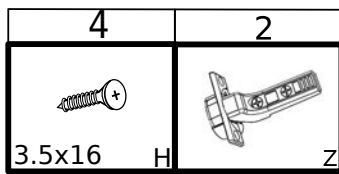
6



7

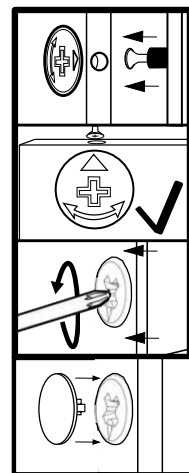
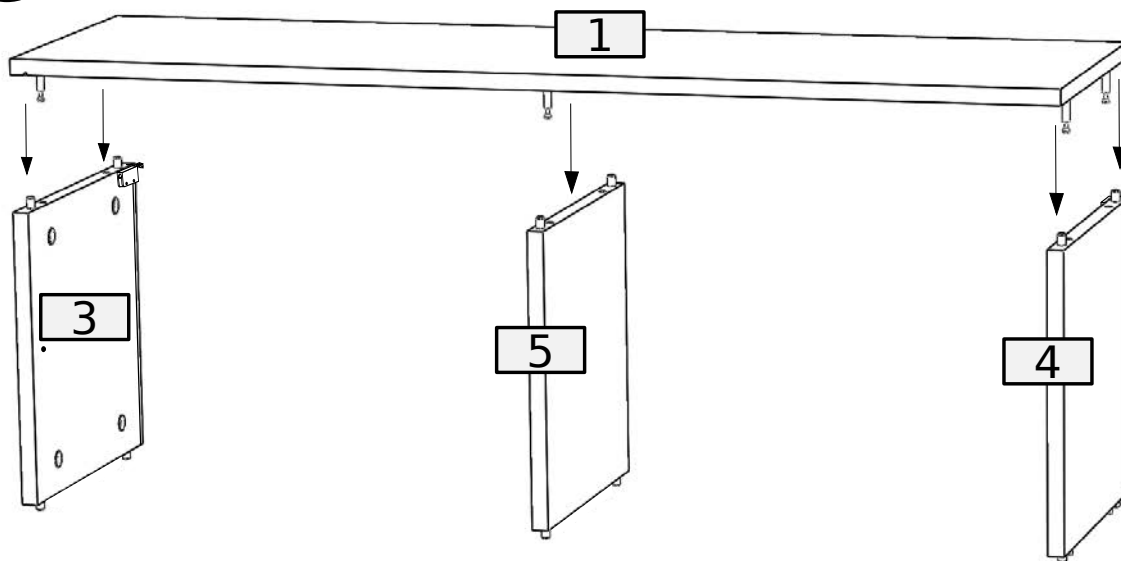


8



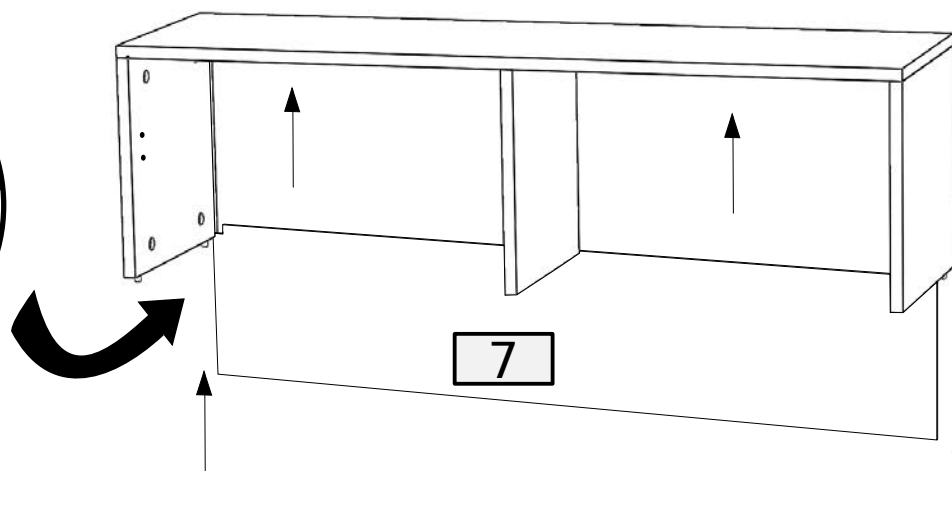
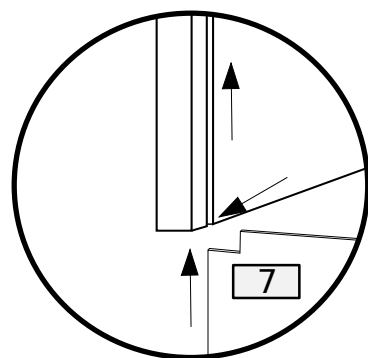
9

A

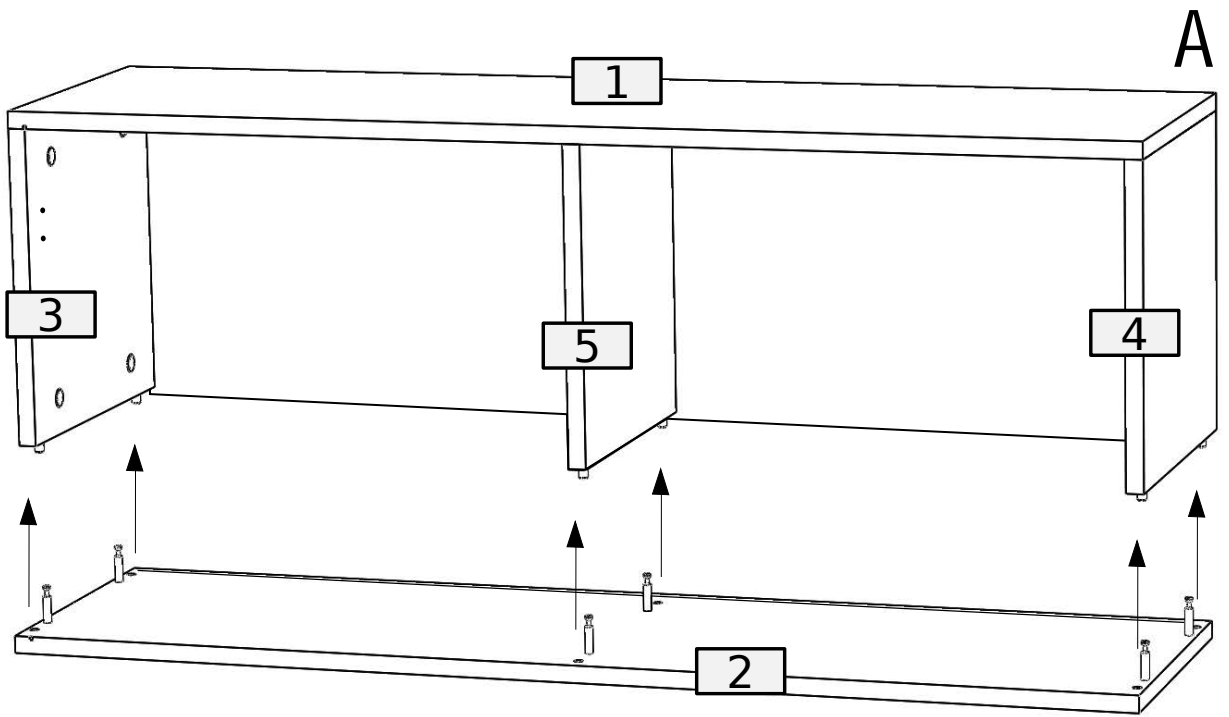
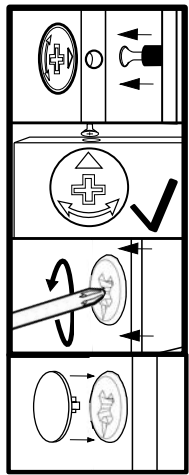


10

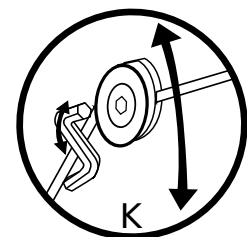
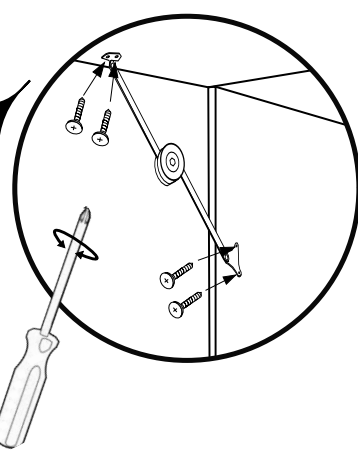
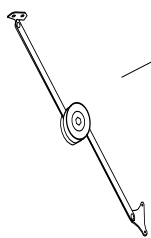
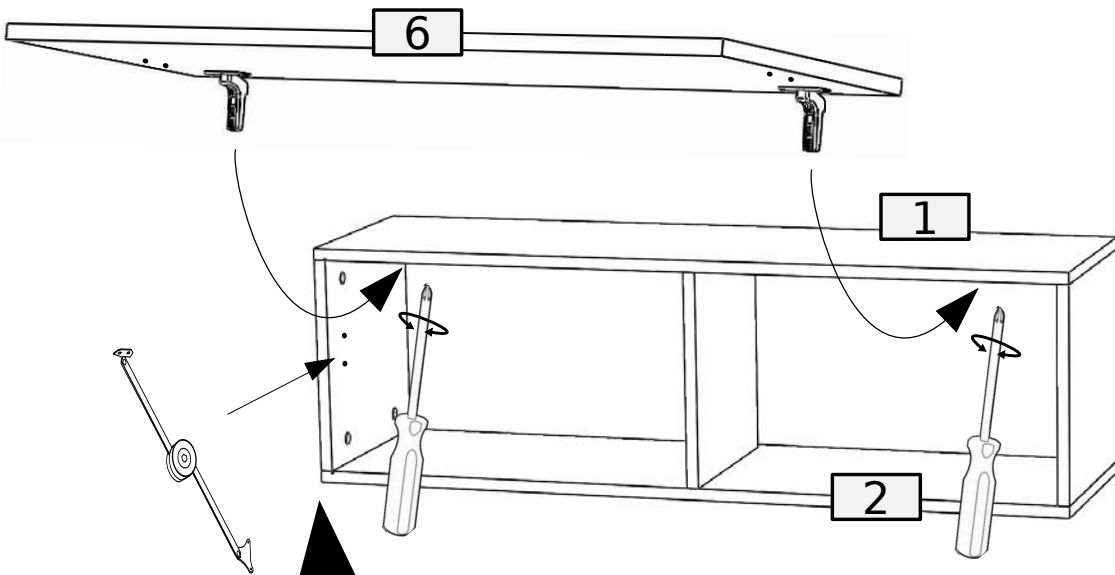
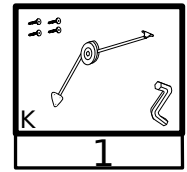
A



11

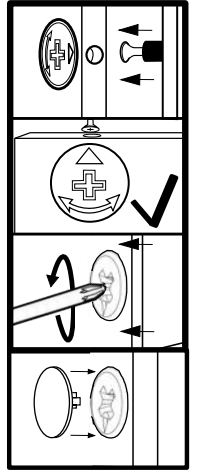
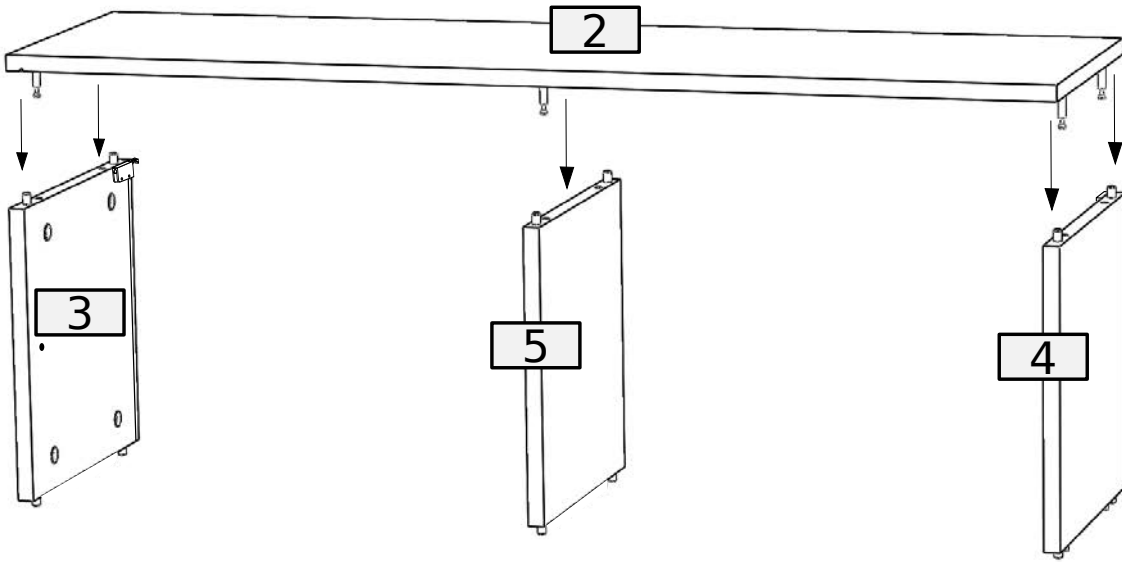


12



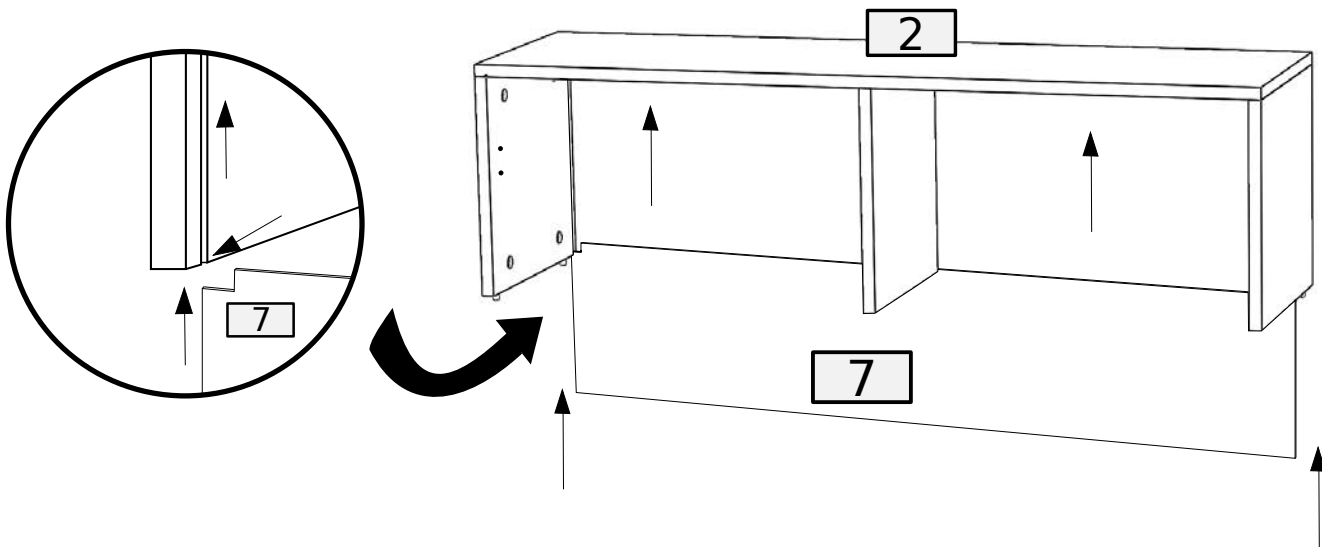
9

B



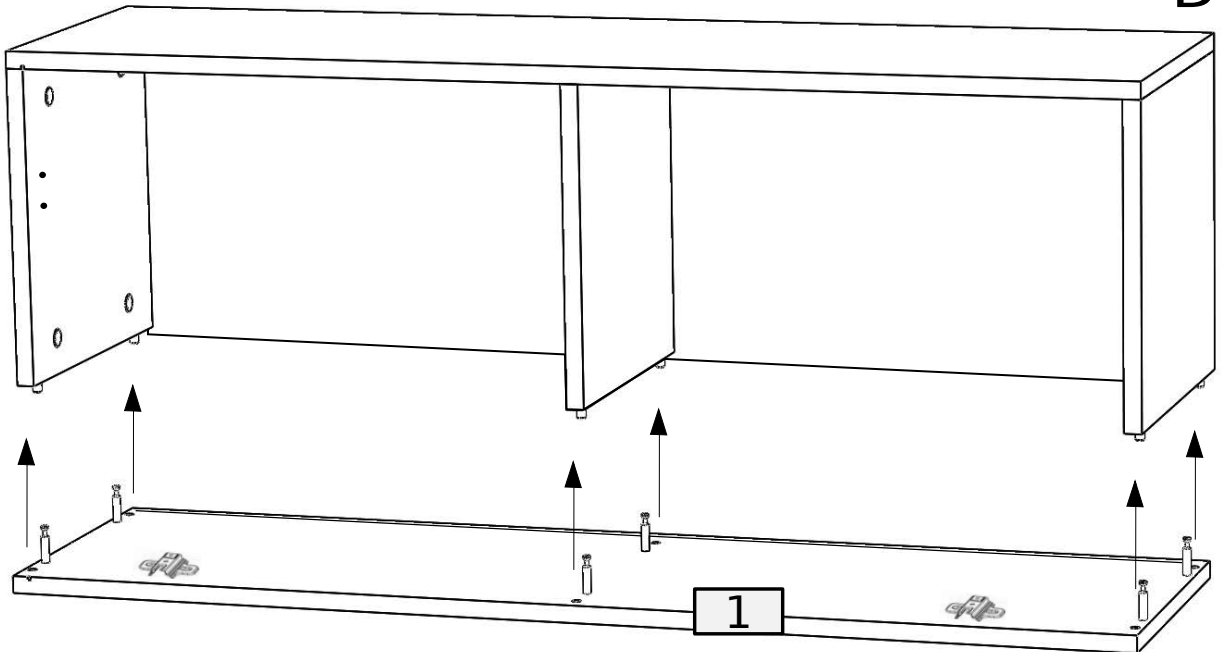
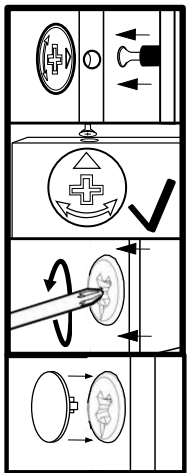
10

B



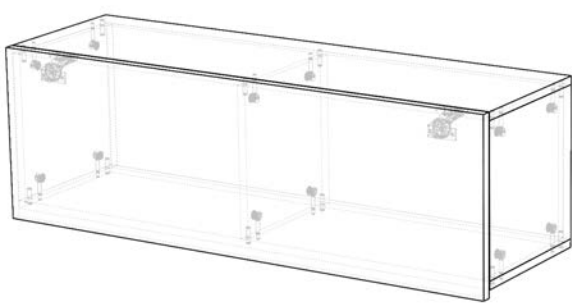
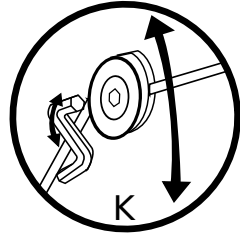
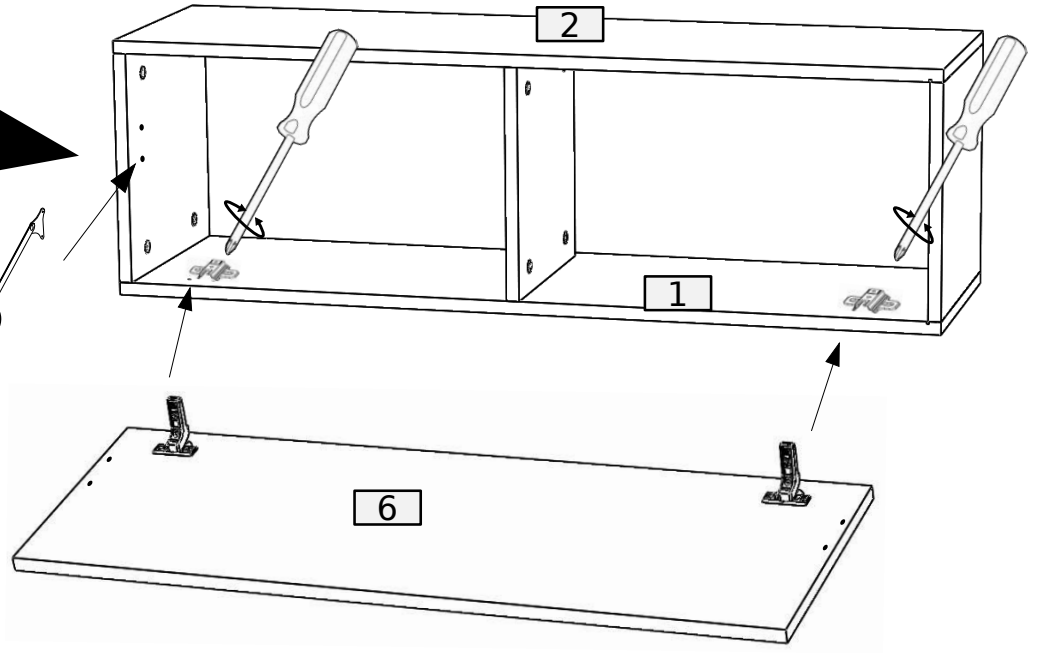
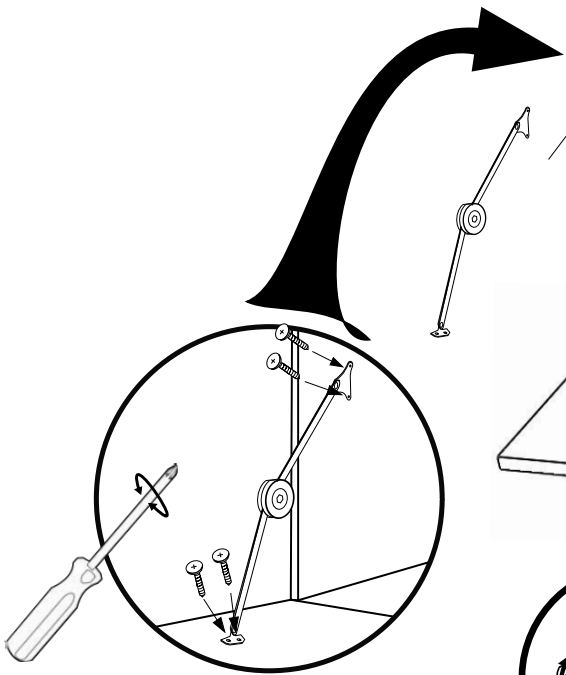
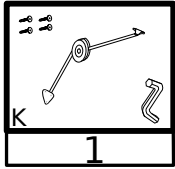
11

B

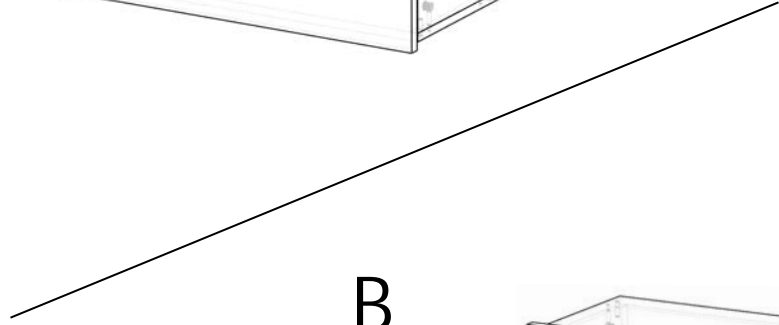


12

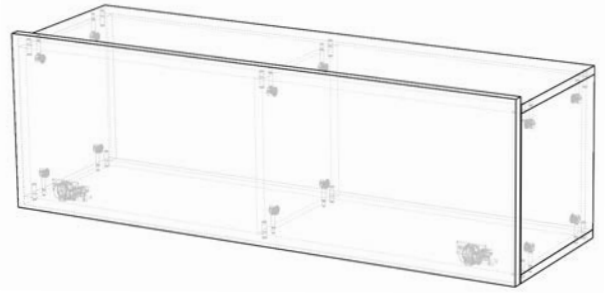
B



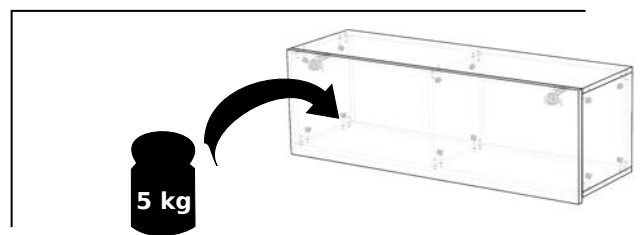
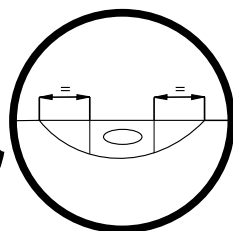
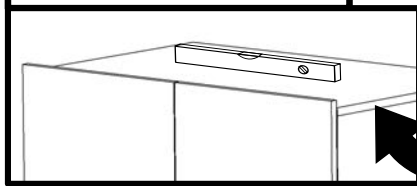
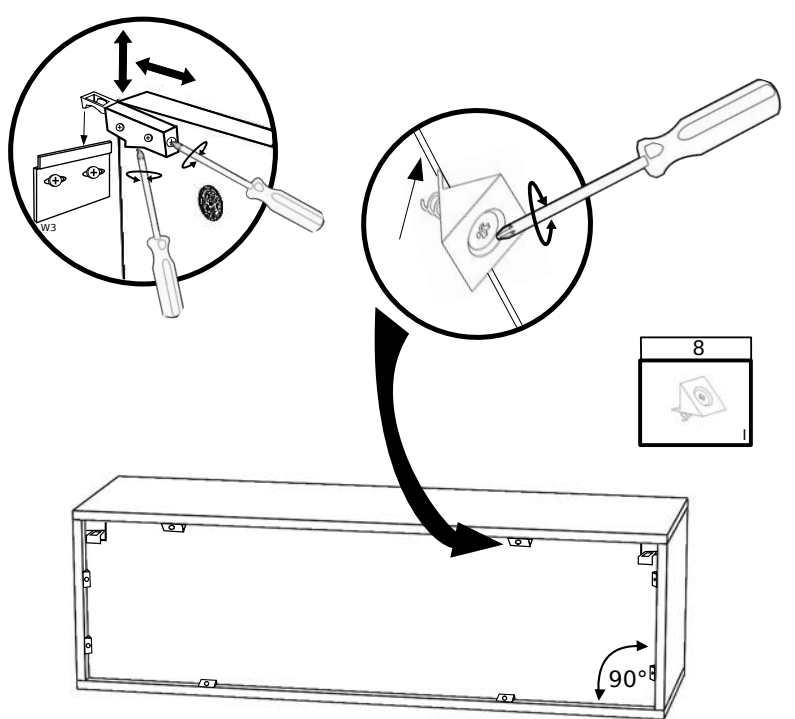
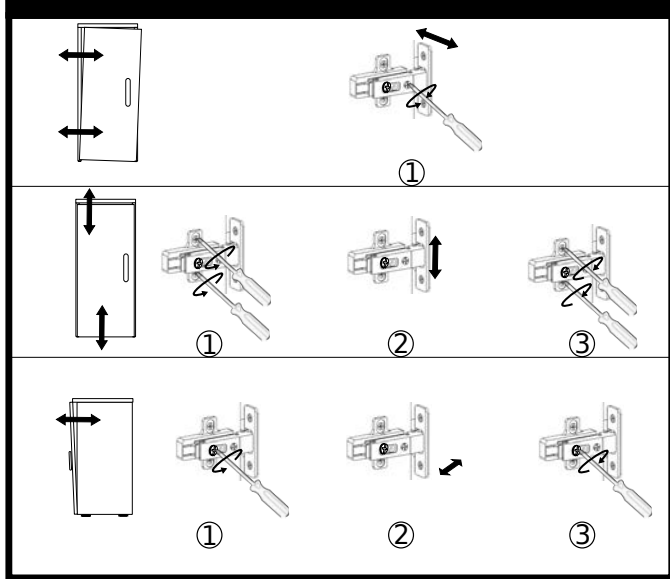
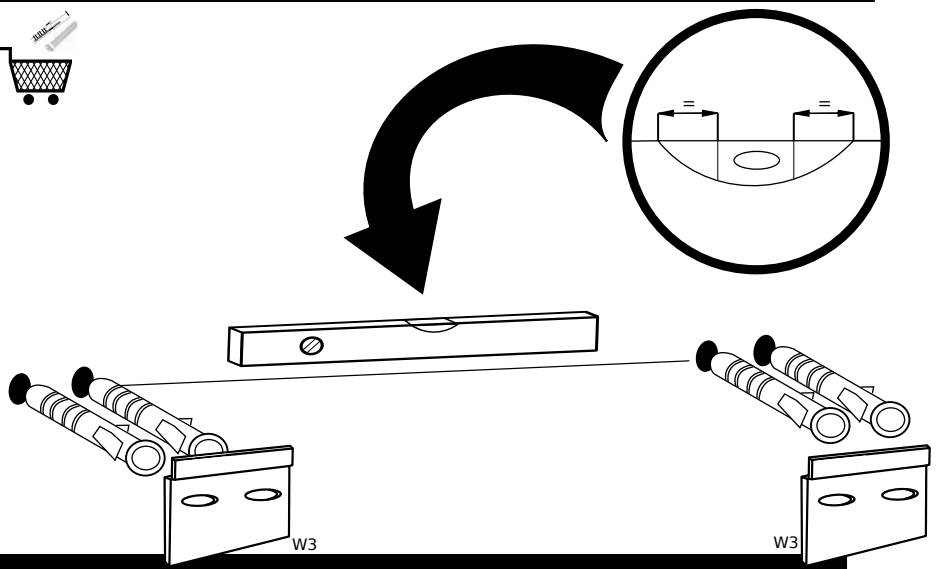
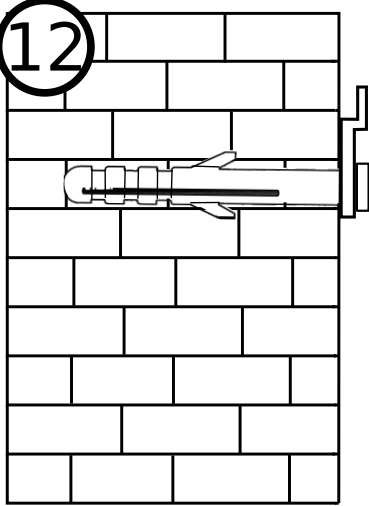
A



B



12



No.	Pcs.	L	W	T	T	Pac
1	1	1050	300	16	-	1/1
2	1	1050	300	16	-	1/1
3	1	293	300	16	-	1/1
4	1	293	300	16	-	1/1
5	1	293	280	16	-	1/1
6	1	1046	340	16	15	1/1
7	1	1032	307	3	-	1/1

5	465	400	22	1/2	
6	420	60	16	2/2	X

B	A	8.0x35	D	4.0x30	P1	X
L	LE	RT	W	W3	3.5x16	Hk